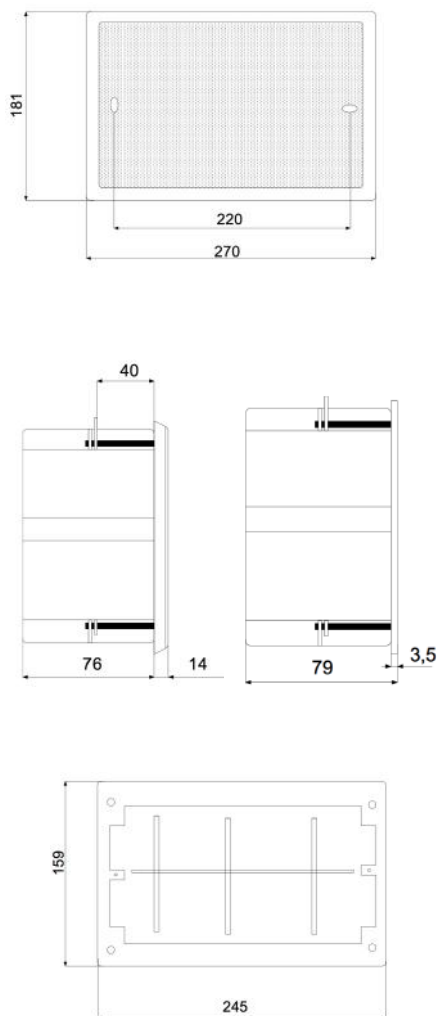
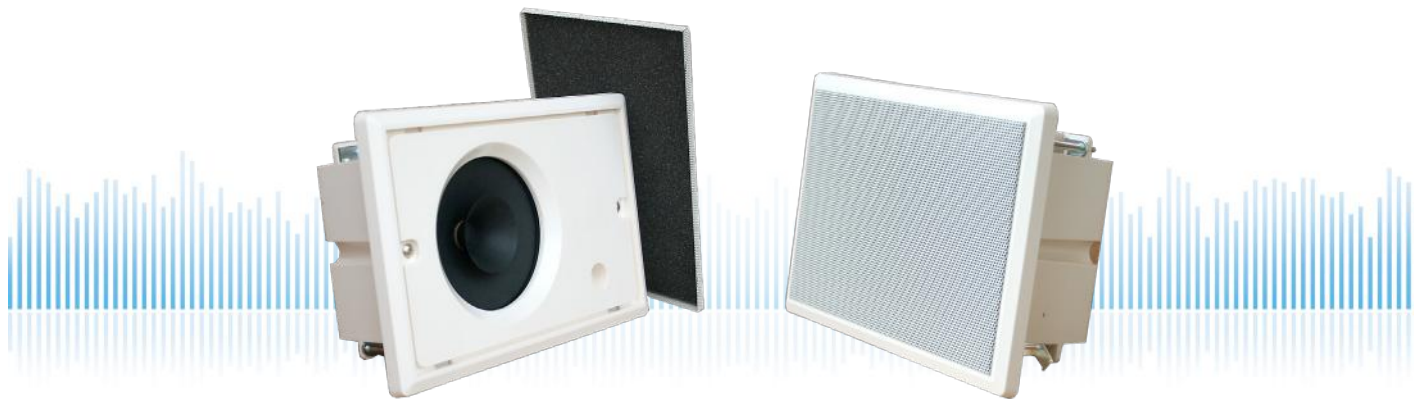


WUL-270-DC

In-Wall / Ceiling / Hollow-Space-Speaker
in ABS with 2x 6 Watt Power and AB-Dual-Cone-Technique



TECHNICAL DATA

WUL-270-DC

Loudspeaker:	130 mm - broadband with Dual Voice Coil
Power-Consumption:	2x 100V-6-3-1,5W
Frequency-Range:	80-16 000 Hz
SPL 1W/1M:	95 dB (double)
SPL 6W/1M:	103 dB (double)
Radiation:	180° (1 kHz)
Dimension:	270 x 181 x 79 mm
Weight:	1,6 kg
Material:	ABS / Metal-Grill
Color:	white

- Suitable for Hollowspace-Mounting & In-Wall usage
 - Hollow-space case in package
 - Two autonomous loudspeaker/100V-transformer per system
 - Enable operation of speaker via two discrete cable-lines
 - In case of breakdown of one line, continuous function of the second
 - In case of overheating of one coil, continuous function of the second
 - No phase-shift / bisection on the membrane surface
 - Low inflammable / shock-proof ABS-enclosure
 - Custom colors obtainable
 - Ceramic clamp & thermal fuse by request
- Always check full functionality of the line monitoring before using our dual voice coil products.