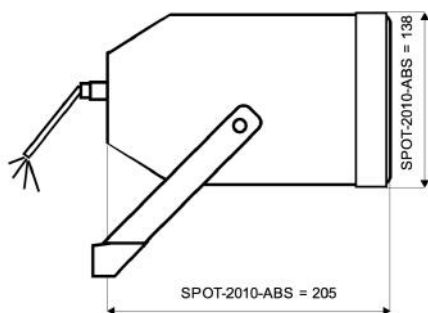


SPOT-2010-ABS-DC

Projector-Speaker for Outdoor Use
in ABS / ALU with 2x 6 Watt Power and AB-Dual-Cone-Technique



TECHNICAL DATA

SPOT-2010-ABS-DC

Loudspeaker:	5" broadband with Dual Voice Coil
Power-Consumption:	2x 100V-6-3-1,5W
Frequency-Range:	80 - 17 000 Hz
SPL 1W/1M:	95 dB (double)
SPL 6W/1M:	103 dB (double)
Dimension:	138 x 205mm
Weight:	1,8 Kg
Material:	ABS/ALU
Color:	white

- Two autonomous loudspeaker/100V-transformer per system
- Enable operation of speaker via two discrete cable-lines
- In case of breakdown of one line, continuous function of the second line
- No bisection of the membrane surface
- Weather-proof through ABS-case, ALU-grill, ALU-bracket & Stainless Steel screws
- Optional mast-holder available
- Ceramic clamp & thermal fuse by request
- Always check full functionality of the line monitoring before using our dual voice coil products.