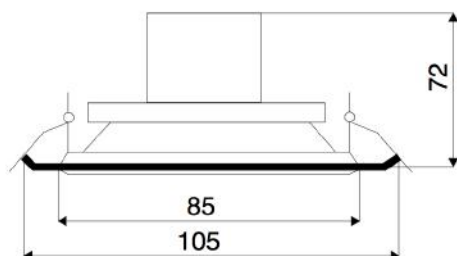
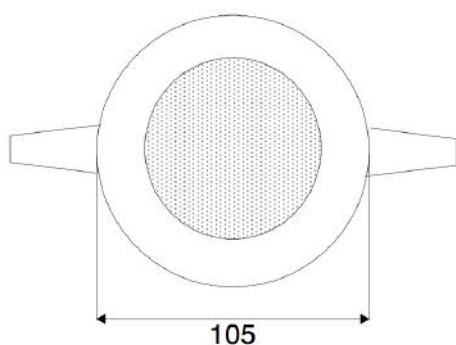


MDL-100F

Ceiling-Speaker
in Metal with 6 Watt Power



TECHNICAL DATA

MDL-100F

Loudspeaker:	77 mm - broadband
Power-Consumption:	100V-6-4-2W
Frequency-Range:	100-20 000 Hz
SPL 1W/1M:	89 dB
SPL 6W/1M:	97 dB
Dimension:	105 mm x 72 mm
Ceiling Cut-out:	85 mm
Suitable slab thickness:	1 mm - 15 mm
Weight:	0,5 kg
Material:	Metall
Color:	white / black / silver / gold
Order-Nr.:	MDL-100F-WH
	MDL-100F-BK
	MDL-100F-SR
	MDL-100F-GD (on request)

- Fast mounting via 2-Springs-Quick-Snap-System
- Three colors available as standard
- Dimension-optimized speaker
- Three touch-secure 100V-tappings
- 8 Ohm version & custom colors available
- Ceramic clamp & thermal fuse by request