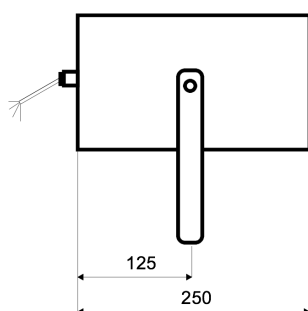
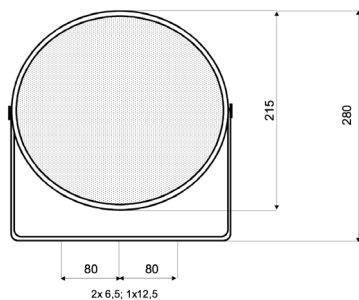


LA-200WT-DC-II-WEGE-30W/EN5424

EN 54-24 Projector-Speaker for Outdoor Use
in ALU with 2x 30 Watt Power and AB-Dual-Cone-Technique

EN
54-24

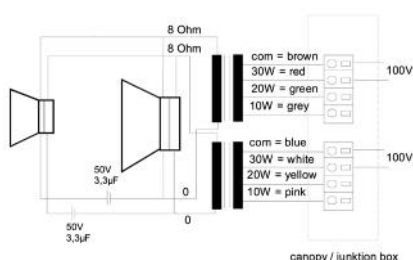


TECHNICAL DATA

LA-200WT-DC-II-WEGE-30W/EN5424

Loudspeaker:	8" - 2-Way-System with Dual Voice Coil
Power-Consumption:	2x 100V-30-20-10W
Frequency-Range:	70 - 20 000 Hz
EN-Sensitivity 1W/4M:	74 dB (1x), 80 dB (2x)
SPL max 30W/4M:	92 dB (1x), 98 dB (2x)
SPL 1W/1M max. EASE/Ulysses:	101 dB (3,2 kHz) (double)
SPL 30W/1M max. EASE/Ulysses:	115 dB (3,2 kHz) (double)
Radiation H (0,5/1/2/4KHz):	360°/360°/90°/44° (single)
Radiation V (0,5/1/2/4KHz):	360°/360°/90°/44° (single)
EN degree:	EN Type B, weather-proof, outdoor-certificated
Dimension:	215 x 250 mm
Weight:	3,1 kg
Material:	ALU
Color:	RAL 9010
Certificate-Nr.:	1293-CPR-0500
Order-Nr.:	LA-200WT-DC-II-WEGE-30W/EN5424

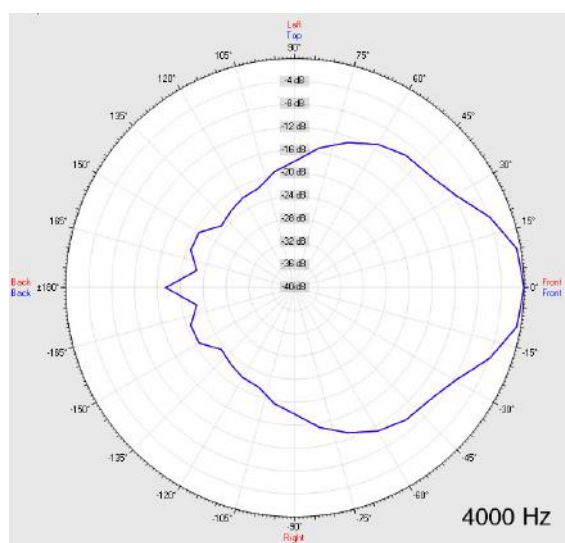
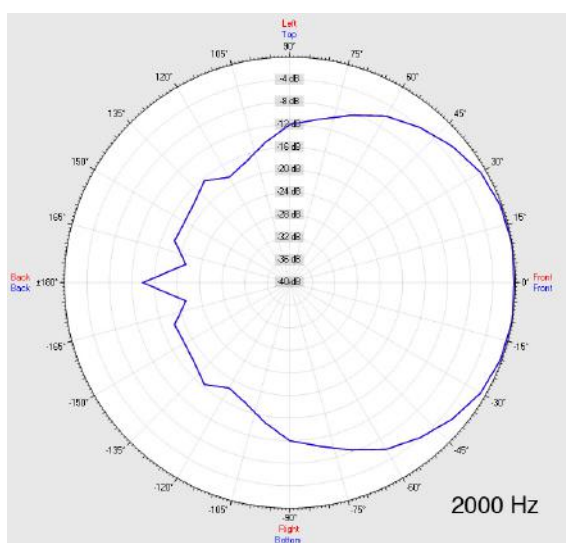
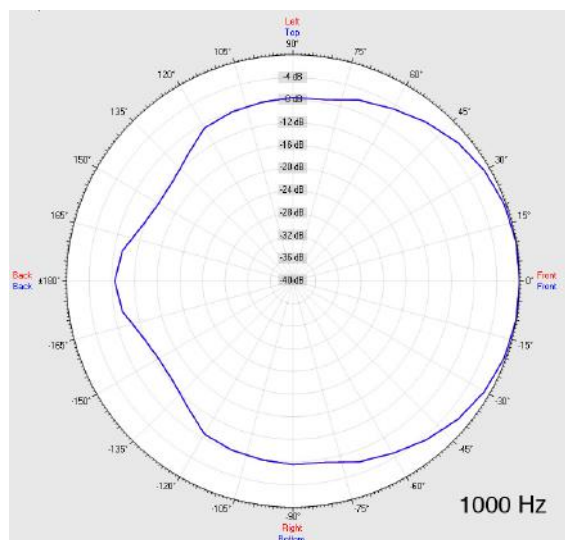
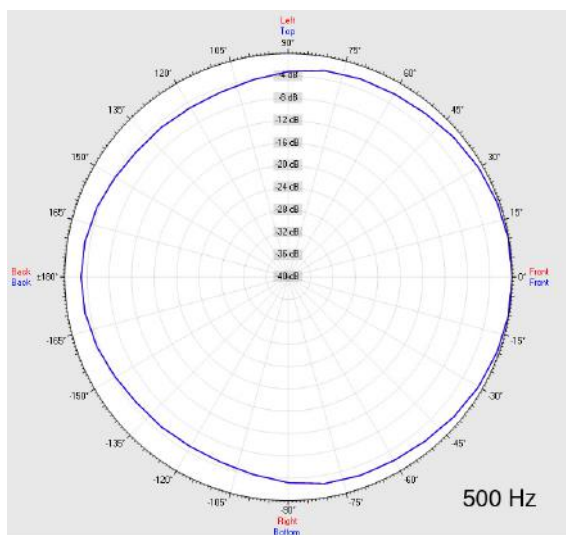
- Two autonomous loudspeaker/100V-transformer per system
- Enable operation of speaker via two discrete cable-lines
- In case of breakdown of one line, continuous function of the second
- Weather-proof through Stainless Steel & ALU components & Rain-protection
- No bisection of the membrane surface
- Special DIN 912-ISO 4762 screws
- Custom colors optional
- Ceramic clamp & thermal fuse by request
- Always check full functionality of the line monitoring before using our dual voice coil products.



LA-200WT-DC-II-WEGE-30W/EN5424

EN 54-24 Projector-Speaker for Outdoor Use
in ALU with 2x 30 Watt Power and AB-Dual-Cone-Technique

Radiation

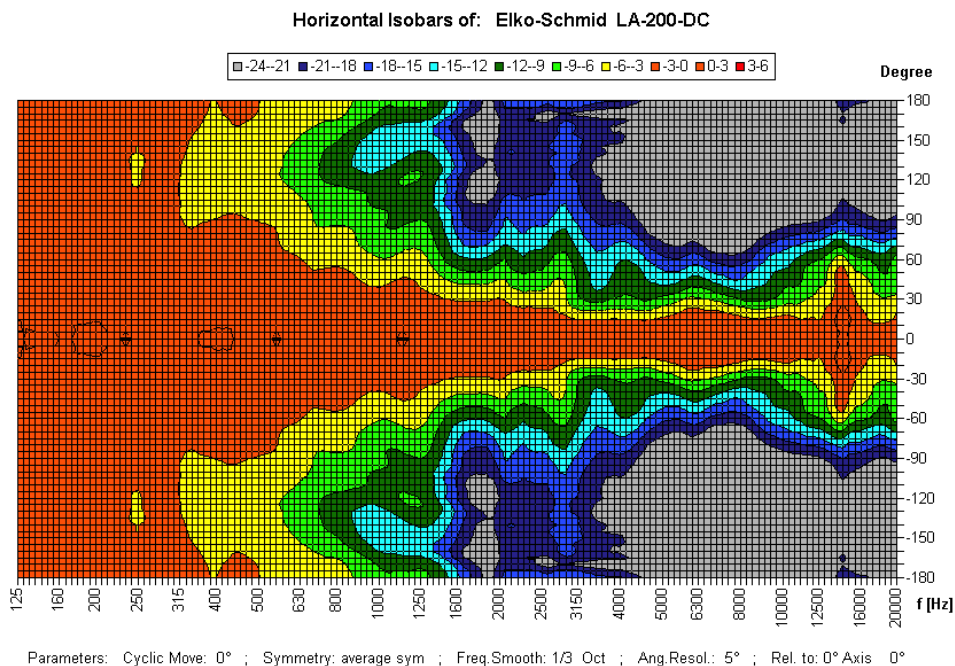


Test method	Axis	500 Hz	1000 Hz	2000 Hz	4000 Hz
EN 54-24	HOR	360°	360°	90°	44°
EN 54-24	VER	360°	360°	90°	44°
EASE/Ulysses	HOR	360°	140°	120°	45°
EASE/Ulysses	VER	360°	140°	120°	45°

LA-200WT-DC-II-WEGE-30W/EN5424

EN 54-24 Projector-Speaker for Outdoor Use
in ALU with 2x 30 Watt Power and AB-Dual-Cone-Technique

Isobar-Diagramm




1293

Elko Schmid GmbH & Co. KG
Glauchauer Str. 30, D-08058 Zwickau

15

DoP: 498058129314-OWS-PN-0019

EN 54-24

Loudspeaker for voice alarm systems for
fire detection and fire alarm systems for buildings

LA-200WT-DC-II-WEGE-30W/EN5424

Intended Option:
Type B