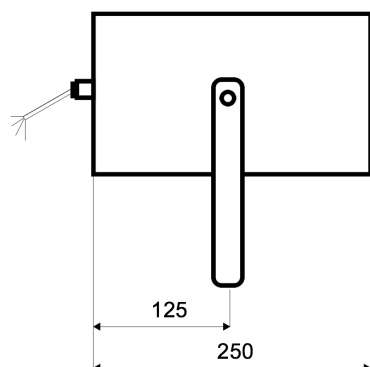
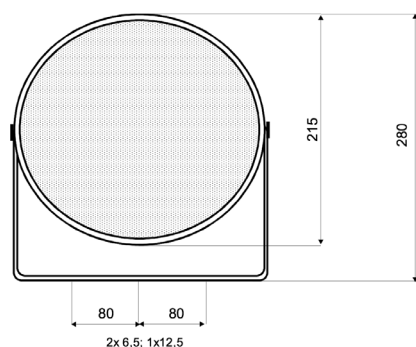


LA-200WT-30W

Projector-Speaker for Outdoor Use
in ALU with 30 Watt Power



TECHNICAL DATA

LA-200WT-30W

Loudspeaker: 8" - 2-Way System

Power-Consumption: 100V-30-20-10W

Frequency-Range: 70-20 000 Hz

SPL 1W/1M: 98 dB

SPL 30W/1M: 113 dB

SPL 1W/1M max.: 99 dB (4,7kHz)

SPL 30W/1M max.: 114 dB (4,7kHz)

Radiation: 180° (1,6kHz)

Dimension: 215 (ø) x 250 mm

Weight: 2,9 kg

Material: ALU

Color: RAL 9010 (powder coated)

- Weather-proof
- Humidity impregnated
- Additional rain-protection through custom-rain-roof
- High Quality Sound for Music & Speech
- Cable length 0,8m, extensions available
- Custom colors and pendulum version optional
- 6/10W version obtainable
- 2-Way versions (6/10/20W) by request
- Three 100V-tappings via cable
- Ceramic clamp & thermal fuse by request