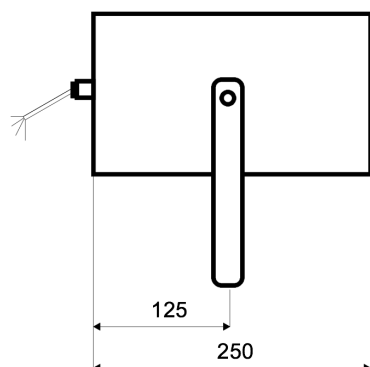
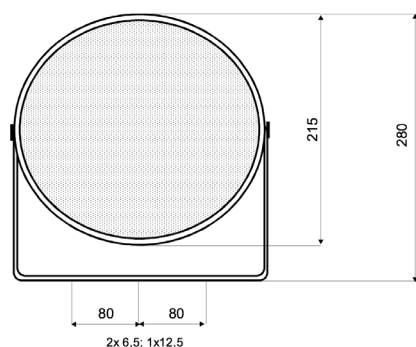


# LA-200WT-808

Projector-Speaker for Outdoor Use  
in ALU with 30 Watt Power



## TECHNICAL DATA

## LA-200WT-808

Loudspeaker:	8" - E-Sonic-808
Power-Consumption:	100V-30-20-10W
Frequency-Range:	60-20 000 Hz
SPL 1W/1M:	100 dB
SPL 30W/1M:	115 dB
SPL 1W/1M max.:	102,5 dB (4kHz)
SPL 30W/1M max.:	117,5 dB (4kHz)
Radiation:	180° (1kHz)
Dimension:	215 (ø) x 250 mm
Weight:	3,5 kg
Material:	ALU
Color:	RAL 9010 (powder coated)

- Weather-proof
- Humidity impregnated
- Additional rain-protection through custom-rain-roof
- High Quality Sound for Music & Speech
- Cable length 0,8m, extensions available
- Custom colors and pendulum version optional
- 6/10W version obtainable
- 2-Way versions (6/10/20W) by request
- Three 100V-tappings via cable
- Ceramic clamp & thermal fuse by request