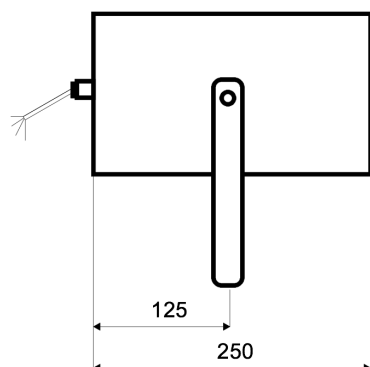
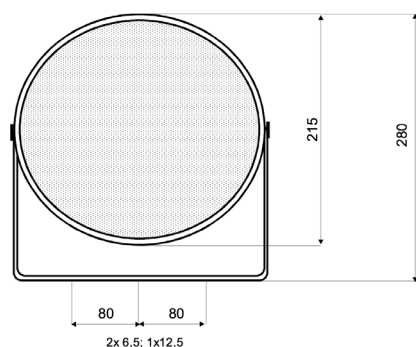


LA-200WT-10

Projector-Speaker for Outdoor Use
in ALU with 10 Watt Power



TECHNICAL DATA

LA-200WT-10

Loudspeaker:	8" - broadband with HF-Cone
Power-Consumption:	100V-10-5-2,5W
Frequency-Range:	70-19 000 Hz
SPL 1W/1M:	98 dB
SPL 10W/1M:	106 dB
SPL 1W/1M max.:	105 dB (3,8kHz)
SPL 10W/1M max.:	113 dB (3,8kHz)
Radiation:	180° (1kHz)
Dimension:	215 (ø) x 250 mm
Weight:	1,9 kg
Material:	ALU
Color:	RAL 9010 (powder coated)

- Weather-proof
- Humidity impregnated
- Additional rain-protection through custom-rain-roof
- High Quality Sound for Music & Speech
- Cable length 0,8m, extensions available
- Custom colors and pendulum version optional
- 6W version obtainable
- 2-Way versions (6/10/20/30W) by request
- Three 100V-tappings via cable
- Ceramic clamp & thermal fuse by request