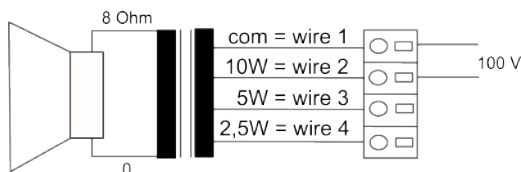
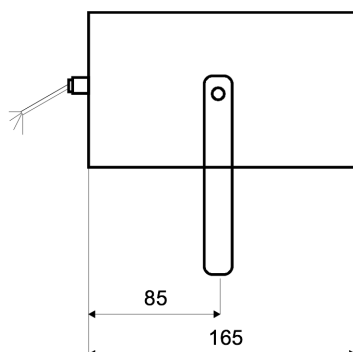
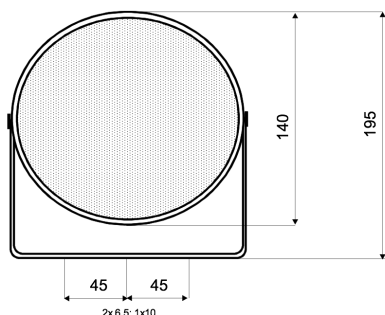


# LA-130WT/EN5424

EN 54-24 Projector-Speaker for Outdoor Use  
in ALU with 10 Watt Power

EN  
54-24



## TECHNICAL DATA

## LA-130WT/EN5424

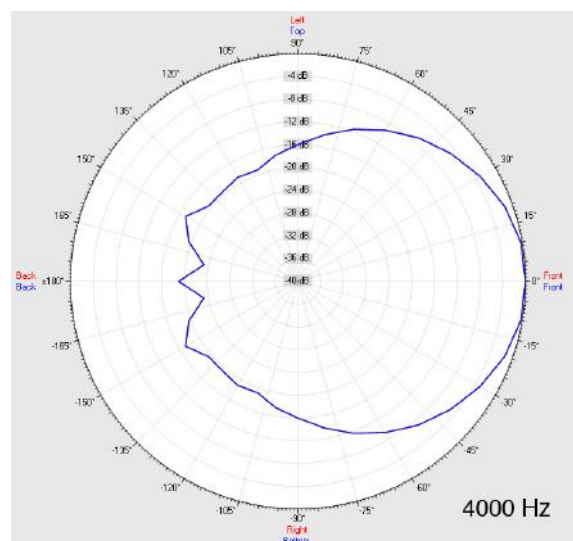
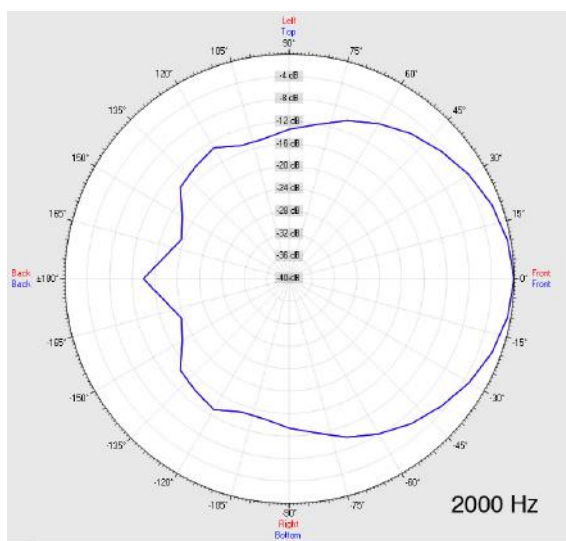
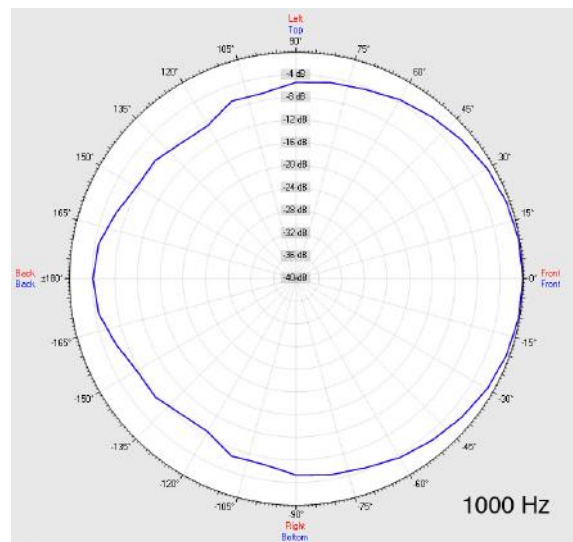
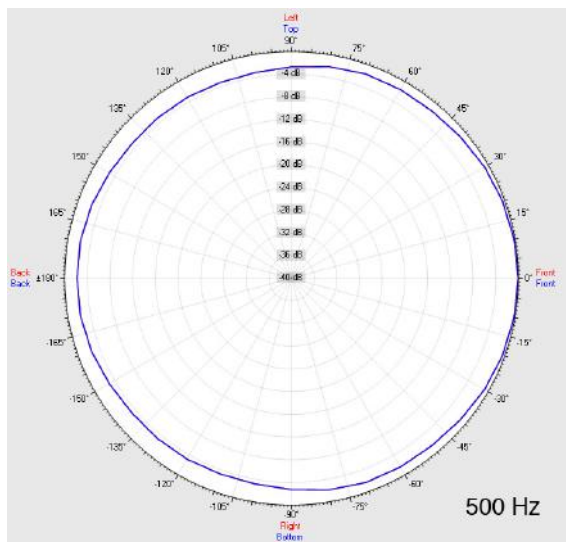
Loudspeaker:	120mm - broadband
Power-Consumption:	100V-10-5-2,5W
Frequency-Range:	80-15 000 Hz
EN-Sensitivity 1W/4M:	78 dB
SPL max 10W/4M:	90,95 dB
SPL 1W/1M max. EASE/Ulysses:	99,5 dB (4,5 kHz)
SPL 10W/1M max. EASE/Ulysses:	108,5 dB (4,5 kHz)
Radiation H (0,5/1/2/4KHz):	360°/360°/129°/123°
Radiation V (0,5/1/2/4KHz):	360°/360°/129°/123°
EN degree:	EN Type B, weather-proof, outdoor-certificated
Dimension:	140 x 165 mm
Weight:	1,3 kg
Material:	ALU
Color:	RAL 9010
Certificate-Nr.:	1293-CPD-0366
Order-Nr.:	LA-130WT/EN5424

- High Quality Sound for Music & Speech
- Weather-proof through ALU-Case, -Grill, -Bracket & Stainless Steel Screws
- Additional rain-protection through custom-rain-roof
- Three 100V-tappings with junction box
- Custom colors optional
- Special DIN 912-ISO 4762 screws
- Ceramic clamp & thermal fuse by request

# LA-130WT/EN5424

EN 54-24 Projector-Speaker for Outdoor Use  
in ALU with 10 Watt Power

## Radiation



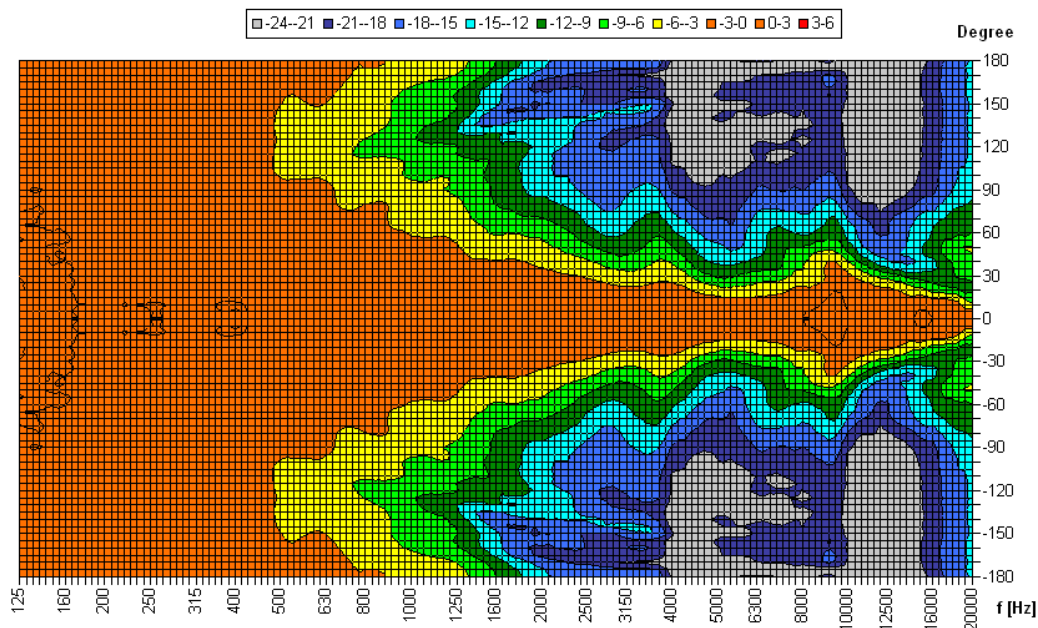
Test method	Axis	500 Hz	1000 Hz	2000 Hz	4000 Hz
EN 54-24	HOR	360°	360°	129°	123°
EN 54-24	VER	360°	360°	129°	123°
EASE/Ulysses	HOR	360°	190°	110°	80°
EASE/Ulysses	VER	360°	190°	110°	80°

# LA-130WT/EN5424

EN 54-24 Projector-Speaker for Outdoor Use  
in ALU with 10 Watt Power

## Isobar-Diagramm

Horizontal Isobars of: Elko-Schmid LA-130 WT 10W



Parameters: Cyclic Move: 0° ; Symmetry: average sym ; Freq.Smooth: 1/3 Oct ; Ang.Resol.: 5° ; Rel. to: 0° Axis 0°

CE

1293

Elko Schmid GmbH & Co. KG  
Glauchauer Str. 30, D-08058 Zwickau

13

DoP: 498058129314-OWS-PN-0019

EN 54-24

Loudspeaker for voice alarm systems for  
fire detection and fire alarm systems for buildings

LA-130WT/EN5424

Intended Option:  
Type B