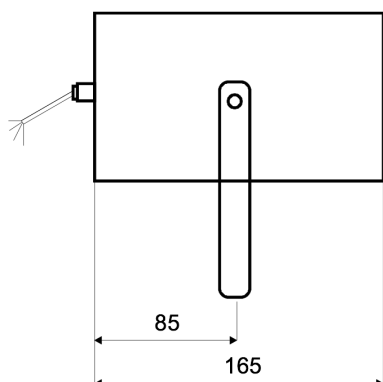
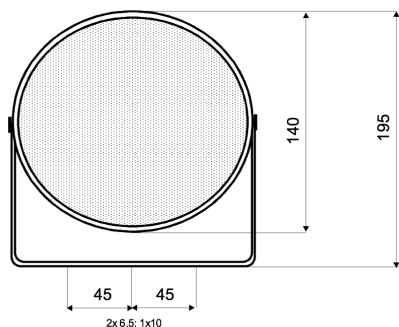


LA-130WT-10

Projector-Speaker for Outdoor Use
in ALU with 10 Watt Power



TECHNICAL DATA

LA-130WT-10

Loudspeaker: 120 mm - broadband

Power-Consumption: 100V-10-5-2,5W

Frequency-Range: 80-15 000 Hz

SPL 1W/1M: 93 dB

SPL 10W/1M: 103 dB

SPL 1W/1M max.: 104 dB (3,5kHz)

SPL 10W/1M max.: 113 dB (3,5kHz)

Radiation: 180° (1,4kHz)

Dimension: 140 (ø) x 165 mm

Weight: 1,3 kg

Material: ALU

Color: RAL 9010 (powder coated)

- Weather-proof
- Humidity impregnated
- Additional rain-protection through custom-rain-roof
- High Quality Sound for Music & Speech
- Cable length 0,8m, extensions available
- Custom colors and pendulum version optional
- 6W and 2-Way versions obtainable
- Three 100V-tappings via cable
- Ceramic clamp & thermal fuse by request