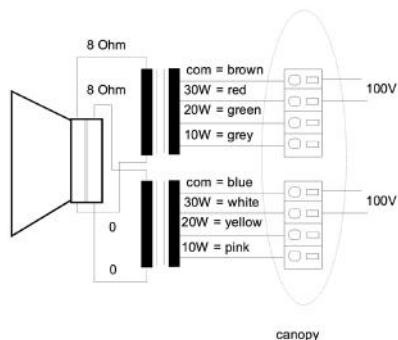
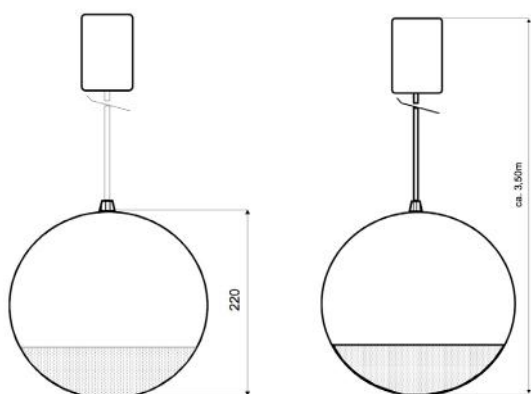


KM-220-DC-II-30W/EN5424

EN 54-24 Sphere-Speaker

in Metal with 2x 30 Watt Power and AB-Dual-Cone-Technique

EN
54-24



TECHNICAL DATA

KM-220-DC-II-30W/EN5424

Loudspeaker:	6,5" 2-Wege with Dual Voice Coil
Power-Consumption:	2x 100V-30-20-10W
Frequency-Range:	70-18 000 Hz
EN-Sensitivity 1W/4M:	78 dB (1x), 84 dB (2x)
SPL max 30W/4M:	91 dB (1x), 97 dB (2x)
SPL 1W/1M max. EASE/Ulysses:	103 dB (3,2 kHz) (double)
SPL 30W/1M max. EASE/Ulysses:	116 dB (3,2 kHz) (double)
Radiation H (0,5/1/2/4KHz):	194°/310°/79°/44° (single)
Radiation V (0,5/1/2/4KHz):	194°/310°/79°/44° (single)
Dimension:	220mm
Weight:	2,8 kg
Material:	Metal
Color:	white
Certificate-Nr.:	1293-CPR-0432
Order-Nr.:	KM-220-DC-II-30W/EN5424

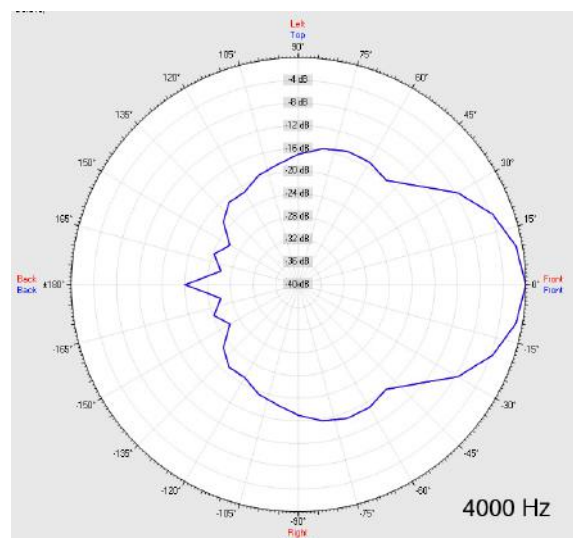
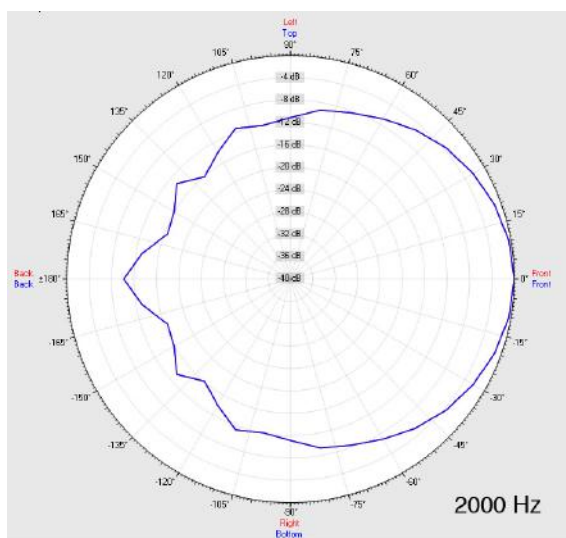
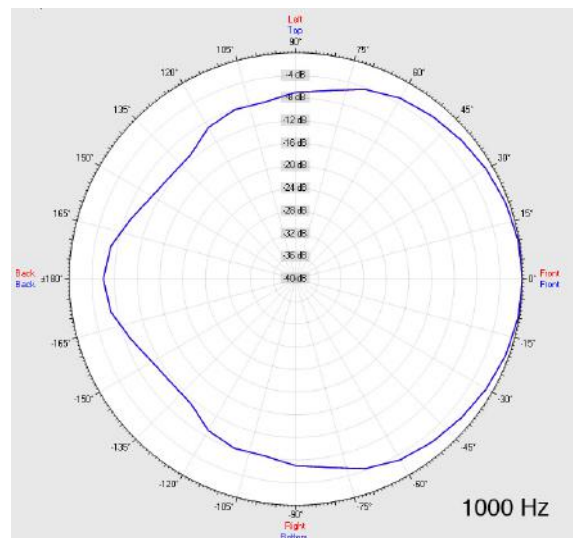
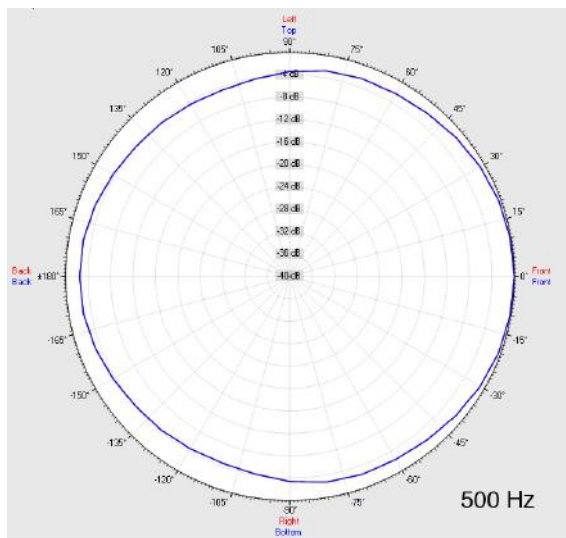
- Two autonomous loudspeaker/100V-transformer per system
- Enable operation of speaker via two discrete cable-lines
- In case of breakdown of one line, continuous function of the second
- In case of overheating of one coil, continuous function of the second
- No phase-shift on the membrane surface
- No bisection of the membrane surface
- Total length about 3,5m
- Custom colors optional
- Ceramic clamp & thermal fuse by request
- Always check full functionality of the line monitoring before using our dual voice coil products.

KM-220-DC-II-30W/EN5424

EN 54-24 Sphere-Speaker

in Metal with 2x 30 Watt Power and AB-Dual-Cone-Technique

Radiation



Test method	Axis	500 Hz	1000 Hz	2000 Hz	4000 Hz
EN 54-24	HOR	194°	310°	79°	44°
EN 54-24	VER	194°	310°	79°	44°
EASE/Ulysses	HOR	360°	150°	105°	55°
EASE/Ulysses	VER	360°	150°	105°	55°

KM-220-DC-II-30W/EN5424

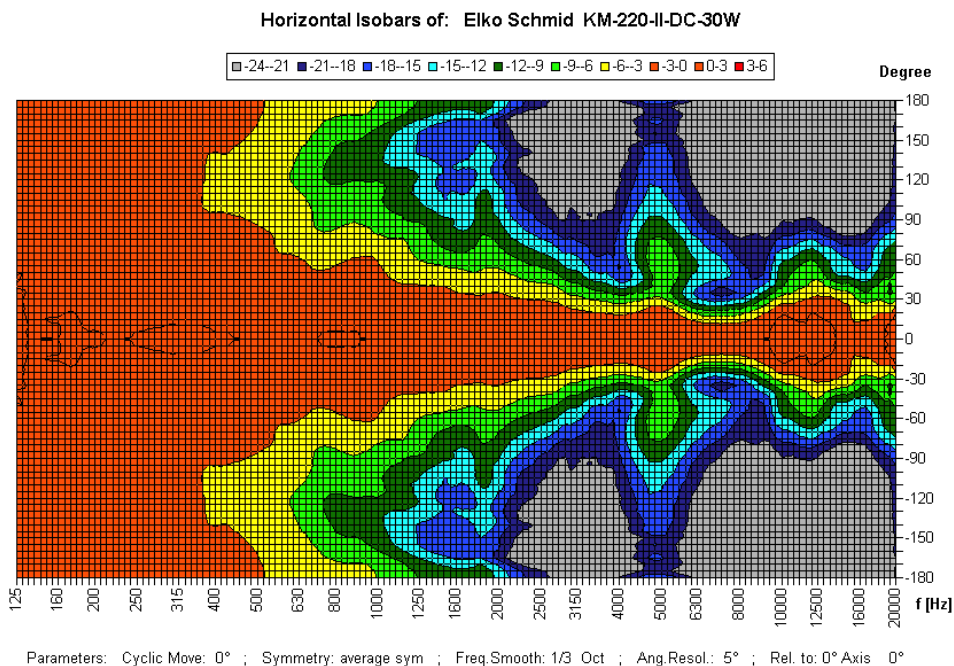
EN 54-24 Sphere-Speaker

in Metal with 2x 30 Watt Power and AB-Dual-Cone-Technique



Elektroakustische Komponenten

Iso-bar-diagram



CE

1293

Elko Schmid GmbH & Co. KG
Glauchauer Str. 30, D-08058 Zwickau

14

DoP: 498058129314-OWS-PN-0005

EN 54-24

Loudspeaker for voice alarm systems for
fire detection and fire alarm systems for buildings

KM-220-DC-II-30W/EN5424

Intended Option:
Type A