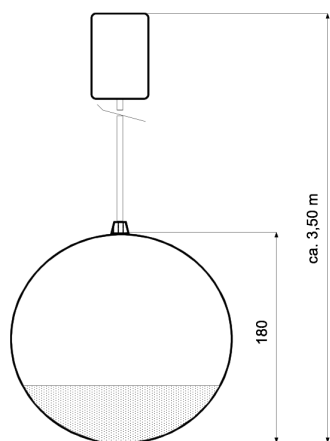
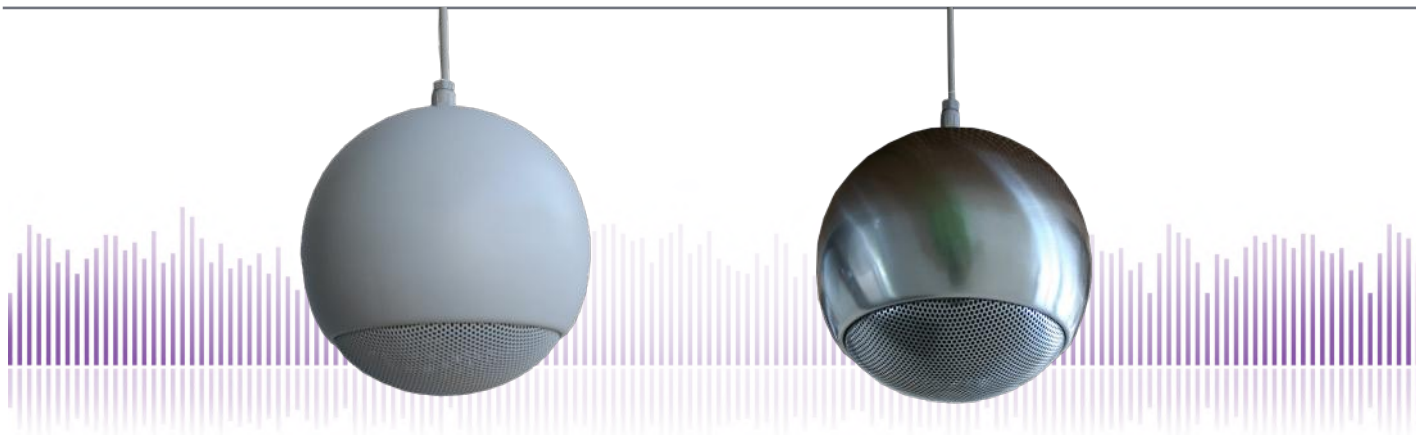


# KM-180F

Sphere-Speaker  
in Metal with 10 Watt Power

**TECHNICAL DATA****KM-180F**

|                    |                                  |
|--------------------|----------------------------------|
| Loudspeaker:       | 5" - Broadband with HF-Cone      |
| Power-Consumption: | 100V-10-6-3W                     |
| Frequency-Range:   | 120-16 000 Hz                    |
| SPL 1W/1M:         | 95 dB                            |
| SPL max 10W/1M:    | 105 dB                           |
| SPL 1W/1M max.:    | 100 dB (5/7 kHz)                 |
| SPL 10W/1M max.:   | 110 dB (5/7 kHz)                 |
| Radiation:         | 360° (1kHz)                      |
| Dimension:         | 180 mm                           |
| Weight:            | 1,7 kg                           |
| Material:          | Metal                            |
| Color:             | white, opt. stainless steel-look |
| Order-Nr.:         | KM-180F-WH                       |
|                    | KM-180F-CHD                      |

- Full metal version
- 360° Radiation @ 1kHz
- Brushed stainless steel look available
- Custom colors (Sphere) / Wet-room version by request
- 2-Way & 6/10/20W Versions optional (KL-180F)
- Three touch-secure 100V-tappings
- Optional ceramic clamp & thermal fuse available