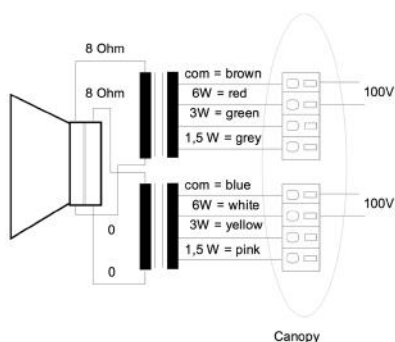
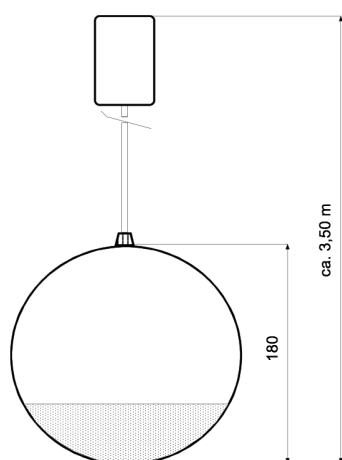


# KM-180DC/EN5424

EN 54-24 Sphere-Speaker

in Metal with 2x 6 Watt Power and AB-Dual-Cone-Technique

EN  
54-24



## TECHNICAL DATA

## KM-180DC/EN5424

Loudspeaker:	5" - broadband with Dual Voice Coil
Power-Consumption:	2x 100V-6-3-1,5W
Frequency-Range:	80-17 000 Hz
EN-Sensitivity 1W/4M:	73 dB (1x), 79 dB (2x)
SPL max 6W/4M:	82 dB (1x), 88 dB (2x)
SPL 1W/1M max. EASE/Ulysses:	99 dB (4 kHz) (double)
SPL 6W/1M max. EASE/Ulysses:	105 dB (4 kHz) (double)
Radiation H (0,5/1/2/4KHz):	360°/330°/183°/77° (single)
Radiation V (0,5/1/2/4KHz):	360°/330°/183°/77° (single)
Dimension:	180mm
Weight:	1,9 kg
Material:	Metal
Color:	white / opt. Stainless-Steel-Look
Certificate-Nr.:	1293-CPD-0378
Order-Nr.:	KM-180DC/EN5424-WH
	KM-180DC/EN5424-V2A

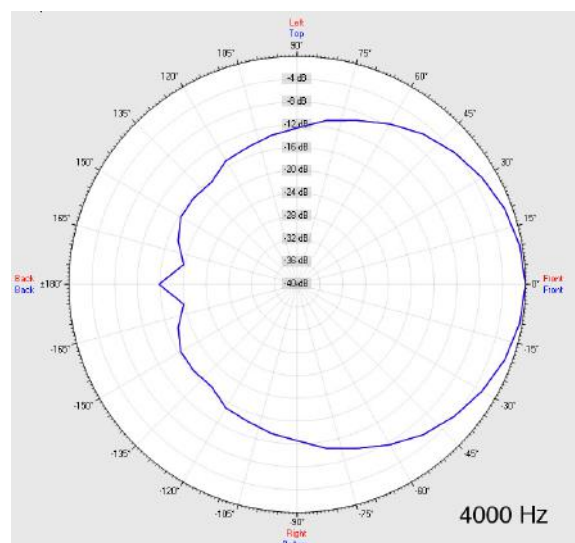
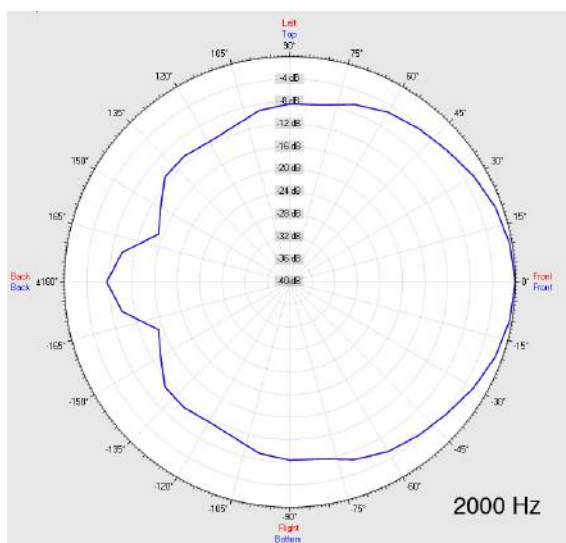
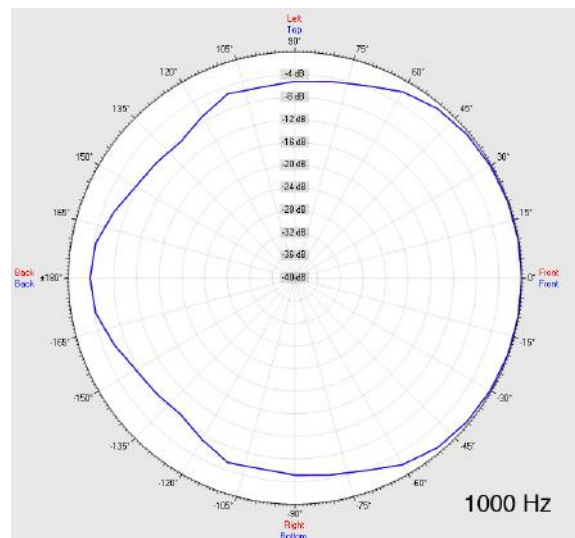
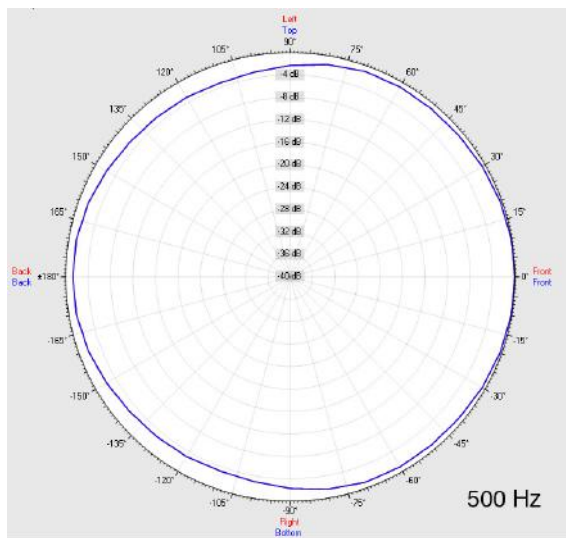
- Two autonomous loudspeaker/100V-transformer per system
- Enable operation of speaker via two discrete cable-lines
- In case of breakdown of one line, continuous function of the second
- In case of overheating of one coil, continuous function of the second
- No phase-shift on the membrane surface
- No bisection of the membrane surface
- Custom colors and Stainless-Steel-Look optional
- Ceramic clamp & thermal fuse by request
- Always check full functionality of the line monitoring before using our dual voice coil products.

# KM-180DC/EN5424

EN 54-24 Sphere-Speaker

in Metal with 2x 6 Watt Power and AB-Dual-Cone-Technique

## Radiation



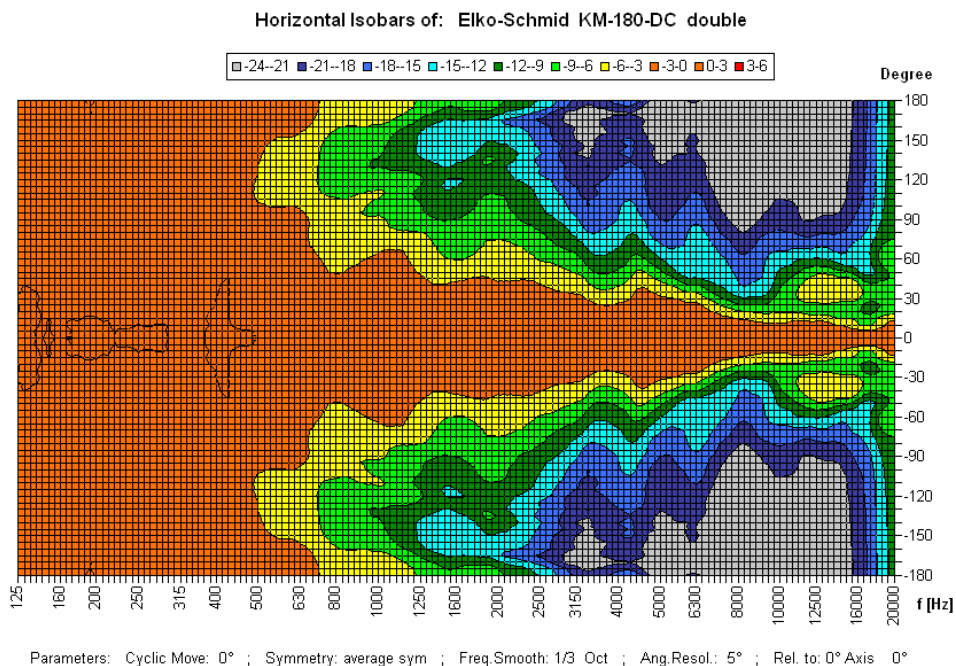
Test method	Axis	500 Hz	1000 Hz	2000 Hz	4000 Hz
EN 54-24	HOR	360°	330°	183°	77°
EN 54-24	VER	360°	330°	183°	77°
EASE/Ulysses	HOR	360°	185°	150°	80°
EASE/Ulysses	VER	360°	185°	150°	80°

# KM-180DC/EN5424

EN 54-24 Sphere-Speaker

in Metal with 2x 6 Watt Power and AB-Dual-Cone-Technique

## Isobar-diagram




1293

Elko Schmid GmbH & Co. KG  
Glauchauer Str. 30, D-08058 Zwickau

13

DoP: 498058129314-OWS-PN-0005

EN 54-24

Loudspeaker for voice alarm systems for  
fire detection and fire alarm systems for buildings

KM-180DC/EN5424

Intended Option:  
Type A