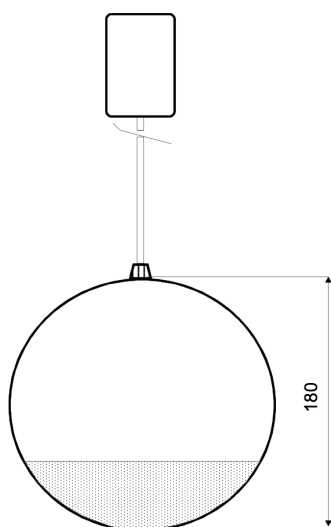


# KL-180F

Sphere-Speaker  
in Metal with 6 Watt Power

**TECHNICAL DATA****KL-180F**

Loudspeaker:	5" - Broadband with HF-Cone
Power-Consumption:	100V-6-3-1,5W
Frequency-Range:	80-15 000 Hz
SPL 1W/1M:	94 dB
SPL 6W/1M:	102 dB
SPL 1W/1M max.:	100 dB (1,5 kHz)
SPL 6W/1M max.:	108 dB (1,5 kHz)
Radiation:	360° (1kHz)
Dimension:	180 mm
Weight:	ca. 1,5 kg
Material:	Metal
Color:	RAL 9010

- 360° Radiation @ 1kHz
- Custom colors by request
- 2-Way & 6/10/20W Versions optional
- Three touch-secure 100V-tappings
- Optional ceramic clamp & thermal fuse available