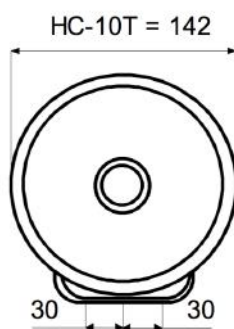
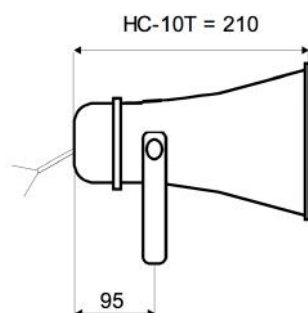


HC-10T

Horn-Speaker for Outdoor Use
in ABS / SS with 10 Watt Power

**TECHNICAL DATA****HC-10T**

Loudspeaker:	Horn-paging
Power-Consumption:	100V-10-5-2,5W
Frequency-Range:	330-10 000 Hz
SPL 1W/1M max.:	108 dB
SPL 10W/1M max.:	118 dB
Radiation:	360° (1 kHz)
IP degree:	IP 65
Dimension:	142 mm x 210 mm
Weight:	1,8 kg
Material:	ABS / Stainless Steel
Color:	Horn: light-grey / bracket: stainless steel

- Stainless steel mounting bracket & screws
- Weather-proof & dust-proof according to IP 66
- Weather- and scratch-resistant ABS-case
- Three 100V-tappings with rotary power selector
- Special DIN 912-ISO 4762 screws
- Connection via cable
- Optional mast holder available
- Ceramic clamp & thermal fuse by request