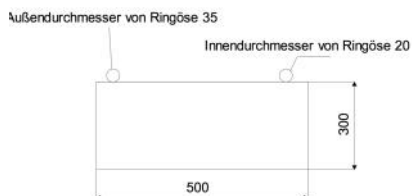
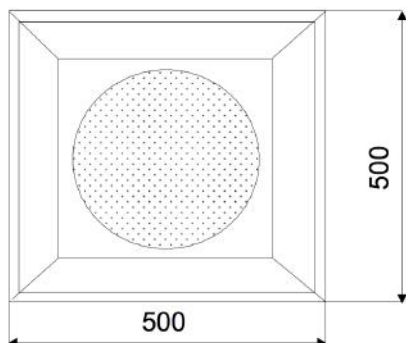


# BSQ-912-8T

Suspended Ceiling-Speaker  
in MDF with 100 Watt Power and 2-Way - Technology



## TECHNICAL DATA

## BSQ-912-8T

Loudspeaker:	12" - Coaxial-2-Way-System
Power-Consumption:	100V-100-50-25W
Frequency-Range:	50-19 000 Hz
SPL 1W/1M:	100 dB
SPL 100W/1M:	120 dB
Radiation H (0,5/1/2KHz):	106° / 120° / 90°
Dimension:	500 x 500 x 300 mm
Weight:	23 kg
Material:	MDF
Color:	black (textured finish)

- Ceiling Speaker for Critical Acoustical Environments
- 12" - 100W High-SPL-System ALTEC 912
- Optimized for Long-Reverberation-Rooms & Facilities
- Conical Horn with 90° x 90° Radiation
- Bunching Directivity in Low-Middle Frequencies
- Power-saving through high SoundPressureLevel
- Suspension via 4 x M8 Mounting-Ring-Eyelets
- Custom Colors available
- Optional ceramic clamp & thermal fuse available