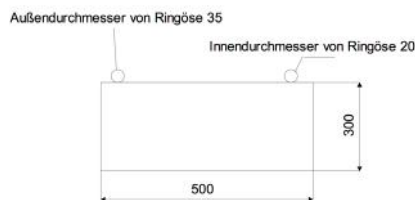
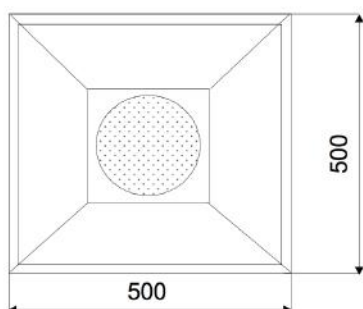


BSQ-808-8T

Suspended Ceiling-Speaker
in MDF with 30 Watt Power and 2-Way - Technology

**TECHNICAL DATA****BSQ-808-8T**

Loudspeaker:	8" - E-SONIC-808
Power-Consumption:	100V-30-15-7,5W
Frequency-Range:	50-20 000 Hz
SPL 1W/1M:	100 dB
SPL 30W/1M:	115 dB / 117,5 dB (4 kHz)
Radiation (0,5/1/2kHz):	100° / 90° / 85°
Dimension:	500 x 500 x 300 mm
Weight:	19 kg
Material:	MDF
Color:	black (texture finish)

- Ceiling Speaker for Critical Acoustical Environments
- E-SONIC-808 - 8"-High-SPL-System
- Optimized for Long-Reverberation-Rooms & Facilities
- Conical Horn with 90° x 90° Radiation
- Bunching Directivity in Low-Middle Frequencies
- Power-saving through high SoundPressureLevel
- Suspension via 4 x M8 Mounting-Ring-Eyelets
- Custom Colors available
- Optional ceramic clamp & thermal fuse available